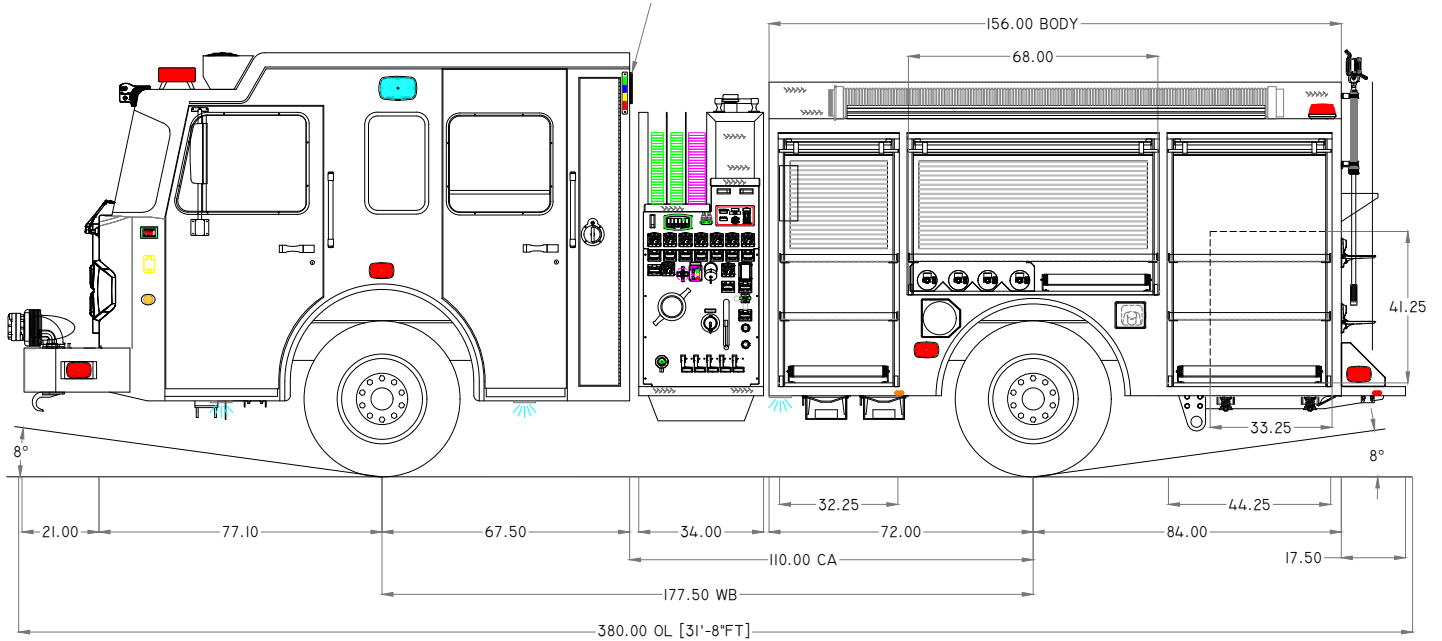


# S-180 CUSTOM PUMPER

## MODEL #3107



### CHASSIS

- Spartan MetroStar LFD 10" Raised Roof
- Seating Capacity: 6
- Cummins X12 500 HP Engine
- Allison 4000 EVS Transmission
- Extreme Duty Interior
- Occupant Advanced Protection System
- Front: 20,000 lbs. Rear: 27,000 lbs.
- 21" Front Bumper Extension
- 177.5" Wheelbase

### PUMP & PLUMBING

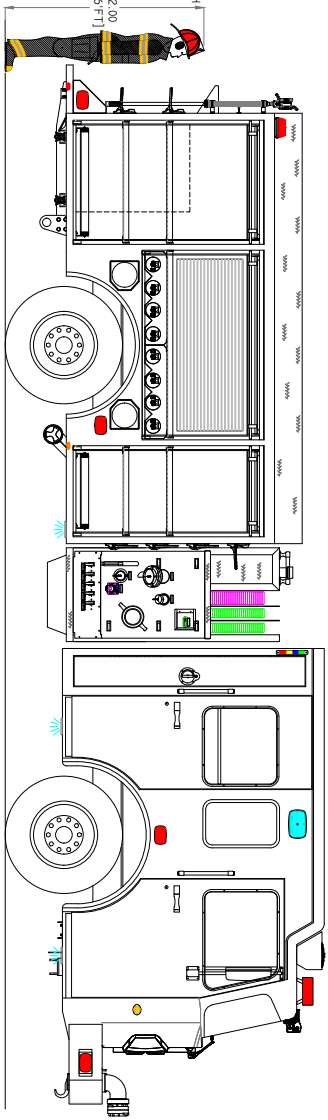
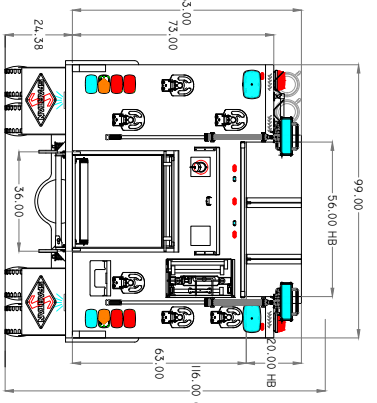
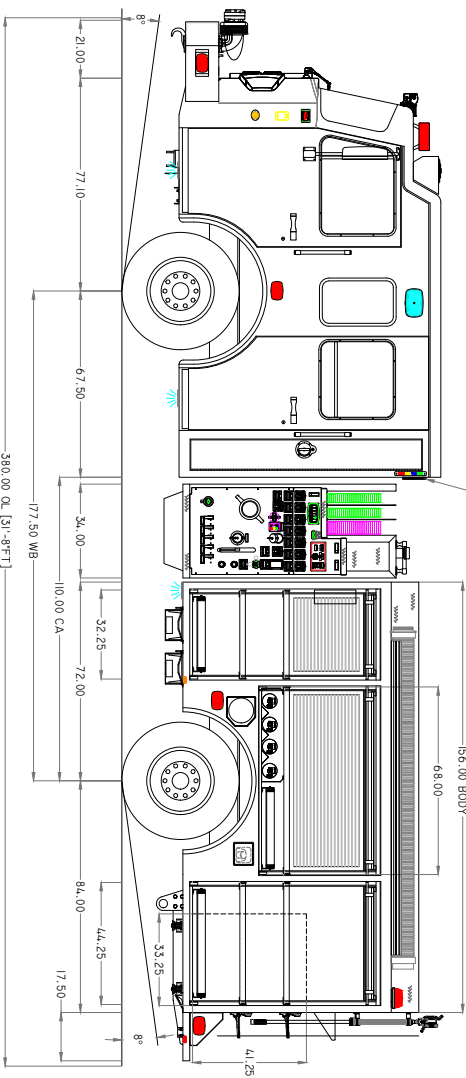
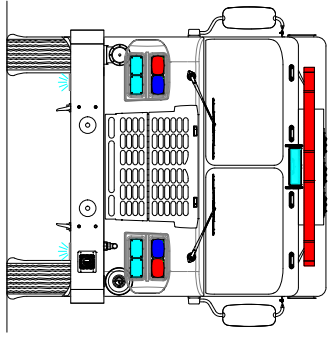
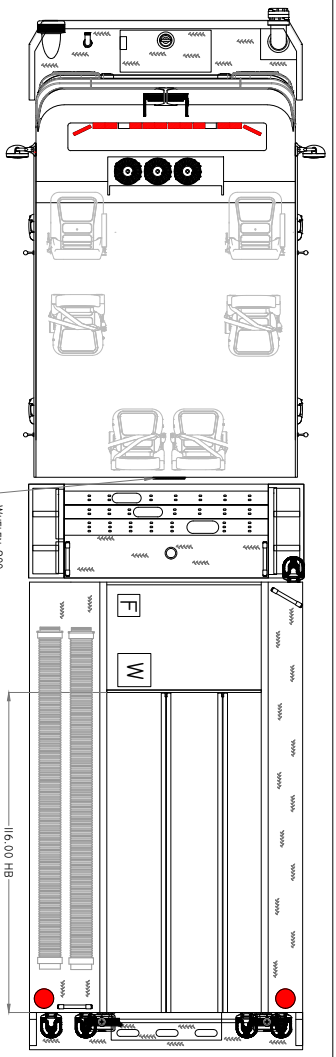
- Hale DSD 1500 GPM Pump
- FRC InControl 400 Pressure Governor
- 750 Gallon Tank Capacity
- (1) 2.5" Left Side Auxiliary Inlet
- (1) 2.5" Right Side Auxiliary Inlet
- (1) 2.5" Left Side Discharge
- (1) 2.5" Right Side Discharge
- (1) 3" Right Side Discharge
- (1) 2.5" Right Rear Discharge
- (1) 3" Deck Gun Discharge
- (2) 1.75" Crosslays & (1) 2.5" Crosslay
- Front Bumper Discharge
- (1) 2" Tank Fill

### BODY

- 156" Formed Aluminum Body
- Vibra-Torque Body Mounting System
- ROM Roll-up Doors
- Full Height w/ Split Depth Compartments/Ladders Right
- Left Side Overwheel Roll Out Drawer
- Right Side Overwheel SCBA Storage
- Durable Compartment Finish
- LED Compartment Lighting
- Whelen LED Lighting Package
- Whelen PCP2 Side Scene Lights



COMPARTMENT	VOLUME (CUBIC FEET)
L1	4.0 90
L2	4.8 09
L3	50.78
R1	29.39
R2	27.29
R3	36.50
B1	32.00
HOSE BED AREA	75.19



CHASSIS: SPARTAN METRO STAR LED 10" RR  
 ENGINE: CUMMINS X12 500 HP  
 TRANSMISSION: ALLISON 4000 EVS  
 AXLES: F 21,500 LB / R 27,000 LB  
 MODEL: 3107  
 WATER/FOAM: 750 GALLONS / 20 GALLONS  
 PUMP: HALE DSD 1500 GPM  
 FOAM SYSTEM: N/A  
 GENERATOR: OPTIONAL

DOOR FRAMED OPENINGS

COMPARTMENT	DOOR FRAMED OPENING
L1	32.25-W X 68.0-H
L2	68.0-W X 43.0-H
L3	44.25-W X 68.0-H
R1	32.25-W X 68.0-H
R2	68.0-W X 43.0-H
R3	44.25-W X 68.0-H
B1	36.0-W X 36.0-H

SPECIAL NOTES  
 LADDER PACKAGE  
 (1) DOD-SWIFT 76 FT 2-SEC 900A  
 (2) DOD-SWIFT 86 FT ROOF 775A  
 (3) DOD-SWIFT 86 FT ATTC 585A  
 STORAGE FOR  
 (1) Puff Bottle with STANHOPE Hose  
 (2) Aerial Trolley Hook, up to 6FT Line

CUSTOMER  
 THIS DRAWING IS A CLOSE APPROXIMATION OF YOUR FIRE  
 TRUCK. THE SPECIFICATIONS LISTED ARE FOR INFORMATIONAL  
 PURPOSES ONLY. THE SPECIFICATIONS LISTED ARE SUBJECT TO  
 CHANGE WITHOUT NOTICE. THE SPECIFICATIONS LISTED  
 ARE NOT TO BE USED AS A CONTRACT DOCUMENT. THE  
 WRITTEN SPECIFICATION REPRESENTS WHAT YOU WANT IN  
 YOUR FIRE TRUCK. THE DRAWING REPRESENTS WHAT YOU  
 GET. TO ASSURE THAT YOUR NEEDS ARE MET,  
 PROPERLY AND CONFIDENTIAL  
 THE INFORMATION CONTAINED IN THIS DRAWING IS THE SOLE  
 PROPERTY OF SPARTAN. IT IS TO BE USED ONLY FOR THE  
 REPRODUCTION IN PART OR AS A WHOLE WITHOUT THE  
 WRITTEN PERMISSION OF SPARTAN. EMERGENCY RESPONSE IS  
 A PROHIBITED SERVICE. SPARTAN IS NOT RESPONSIBLE FOR  
 ANY DAMAGE TO PERSONS OR PROPERTY CAUSED BY THE  
 USE OF SPARTAN EQUIPMENT IN EMERGENCY RESPONSE.

REV	DATE	SCALE	DESCRIPTION	BY	CHK
0	5/31/23	NOT TO SCALE	UPDATED FROM 2107		

CUSTOMER: \_\_\_\_\_  
 TRUCK NUMBER: \_\_\_\_\_ DEALER: \_\_\_\_\_  
 MODEL 3107-10



PUTTING FIRST RESPONDERS FIRST.

spartaner.com/s-180