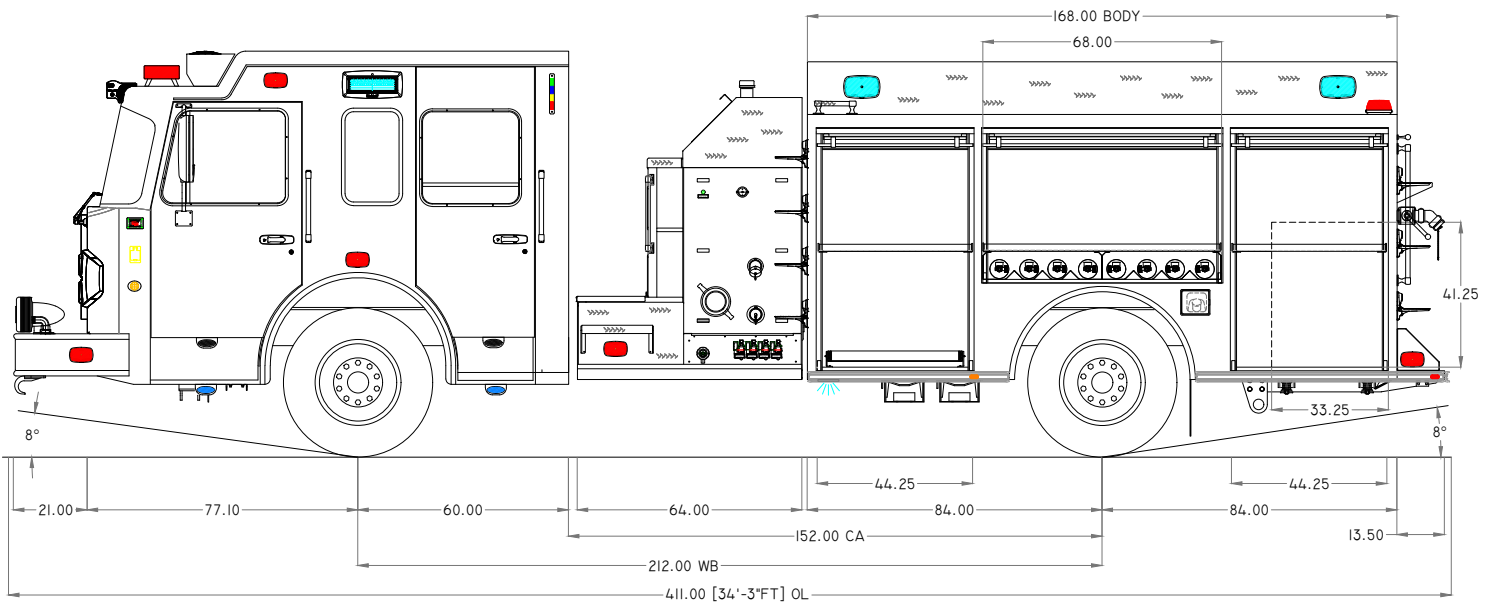


S-180 CUSTOM PUMPER

MODEL #3113



CHASSIS

- Spartan Metro Star EMFD 10" Raised Roof
- Seating Capacity 5
- Cummins X12 500 HP Engine
- Allison 4000 EVS Transmission
- Extreme Duty Interior
- Advanced Protection System®
- Independent Front Suspension
- Axles: 20,000 Front, 27,000 Rear
- 21" Front Bumper Extension
- 212" Wheelbase
- Advanced Climate Control
- Rear View Backup Camera
- Side Scene Lighting
- Michelin Tires
- Severe Duty Front Bumper
- Dual Grover Brand Stutter Air Horns
- Q2B

PUMP & PLUMBING

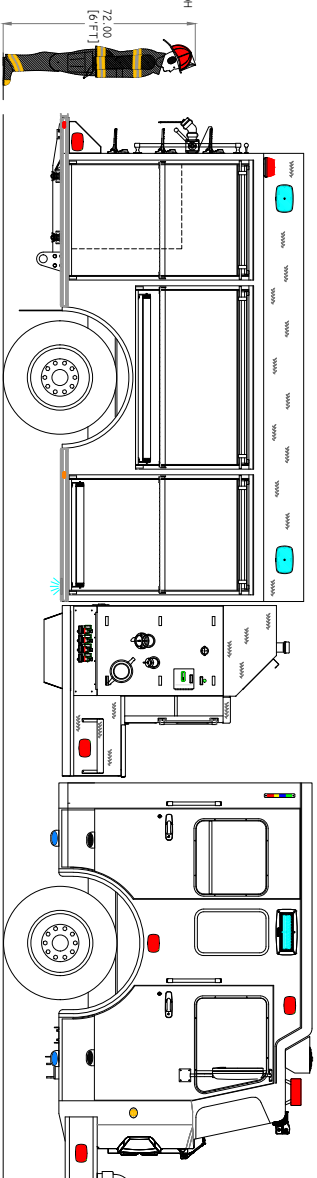
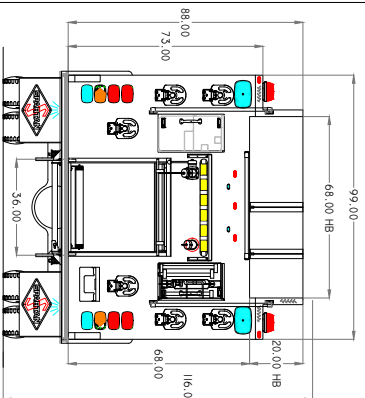
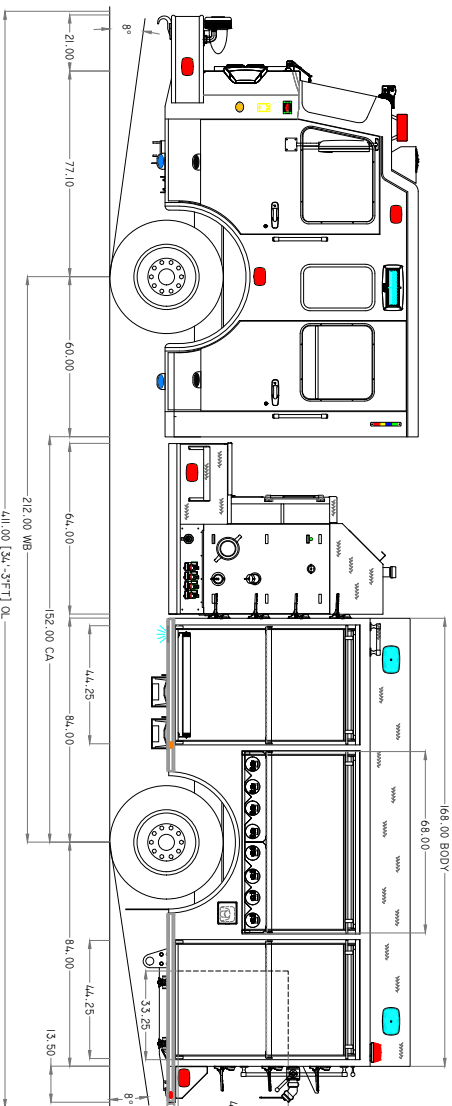
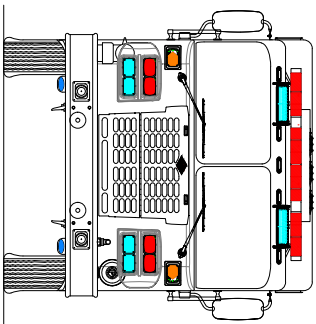
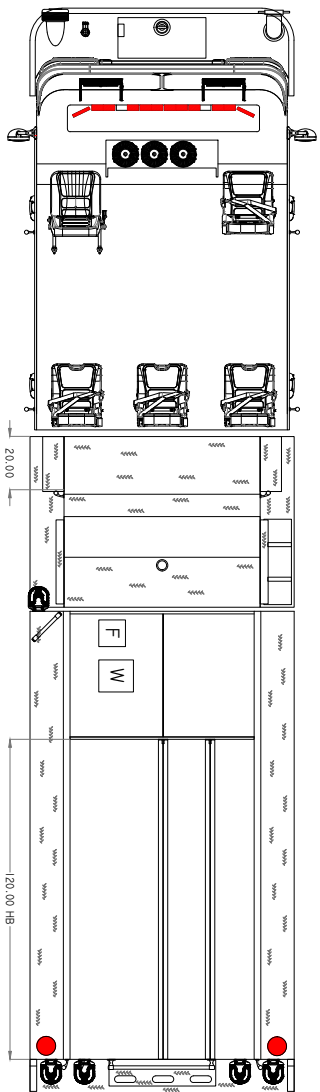
- Waterous CXSC20 1500 GPM Pump
- Top Mount Controls
- Trident Air Primer
- FRC InControl Pressure Governor
- UPF 1000 Gallon Poly Water Tank
- 20 Gallon Foam Cell
- Future Foam System Capable
- (1) 2.5" Left Side Auxiliary Inlet
- (1) 2.5" Left Side Discharge
- (1) 2.5" Right Side Discharge
- (1) 3" Right Side Discharge w/4" Storz
- (1) 2.5" Left Rear Discharge
- (1) 3" Deck Gun Discharge
- TFT Extenda-Gun
- (2) 1.75" Speedlays
- (1) 1.5" Front Bumper Discharge
- 2.5" Direct Tank Fill

BODY

- 168" Formed Aluminum Body
- Vibra-Torque Body Mounting System
- ROM Series IV Roll-up Doors
- Full Height w/ Split Depth Compartments
- Ladders (Duo Safety, 24', 14', 10' Attic)
- Left Side SCBA storage for (8) Cylinders
- Enclosed storage for two Hard Hose
- Wheel Well Roll-Out Drawer
- Eck Anti-Corrosion Process
- Durable Compartment Finish
- OnScene Access LED Compartment Lighting
- Whelen LED Lighting Package
- Whelen Side & Rear Scene Lights



COMPARTMENT	VOLUME (CUBIC FEET)
L1	38.7/L
L2	27.29
L3	36.50
R1	38.7/L
R2	27.29
R3	36.50
B1	32.00
HOSE BED AREA	92.4/L



CHASSIS: SPARTAN METHO STAR EMFD 10" RR
 ENGINE: CUMMINS X12 500 HP
 TRANSMISSION: ALLISON 4000 EVS
 AXLES: F 21,500 LB / R 27,000 LB
 MODEL: 3113
 WATER/FOAM: 1000 GALLONS / 20 GALLONS
 PUMP: WATERIOUS CXS 1500 GPM
 FOAM SYSTEM: N/A
 GENERATOR: N/A

COMPARTMENT	DOOR FRAMED OPENING
L1	44.25-W X 68.0-H
L2	68.0-W X 43.0-H
L3	44.25-W X 68.0-H
R1	44.25-W X 68.0-H
R2	68.0-W X 43.0-H
R3	44.25-W X 68.0-H
B1	36.0-W X 36.0/H

SPECIAL NOTES:
 LADDER PACKAGE:
 (1) DUC SAFETY 24 FT 2-SEC. 900A
 (1) DUC SAFETY 16 FT 900B 753A
 (1) DUC SAFETY 10 FT 900C 555A
 STORAGE FOR:
 (2) 07 HAMB SECTION HOSES
 (2) Standard floor frame rails

CUSTOMER:
 THIS DRAWING IS A CLOSE APPROXIMATION OF YOUR FIRE APPARATUS. IN ALL CASES WHERE THE DRAWING AND FIRE APPARATUS DO NOT CORRELATE, THE DRAWING SHALL PREVAIL. PLEASE WORK WITH YOUR DEALER TO ASSURE THAT THE WRITTEN SPECIFICATION REPRESENTS WHAT YOU WANT IN YOUR APPARATUS. ANY CHANGES TO THE DRAWING SHALL BE IN BULBS TO THE WRITTEN SPECIFICATION AND NOT THE DRAWING TO ASSURE THAT YOUR NEEDS ARE MET.

PROPRIETARY AND CONFIDENTIAL
 THE INFORMATION CONTAINED IN THIS DRAWING IS THE SOLE PROPERTY OF SPARTAN. IT IS TO BE USED FOR THE SPECIFIC PROJECT AND FOR THE SPECIFIC CUSTOMER'S USE ONLY. ANY REUSE OR REPRODUCTION OF THIS DRAWING WITHOUT THE WRITTEN PERMISSION OF SPARTAN EXPERIENCE RESPONSE IS PROHIBITED. SPARTAN EXPERIENCE RESPONSE, DDA SPARTAN, AND SPARTAN ARE TRADEMARKS OF SPARTAN EXPERIENCE RESPONSE.

REV	DATE	SCALE	DESCRIPTION	BY	CHK
0	08/31/23	UPDATE FROM 2113-10			

CUSTOMER: _____
 TRUCK NUMBER: _____
 MODEL 3113-10
 DEALER: _____



PUTTING FIRST RESPONDERS FIRST.

spartaner.com/s-180